



OPTIMUM

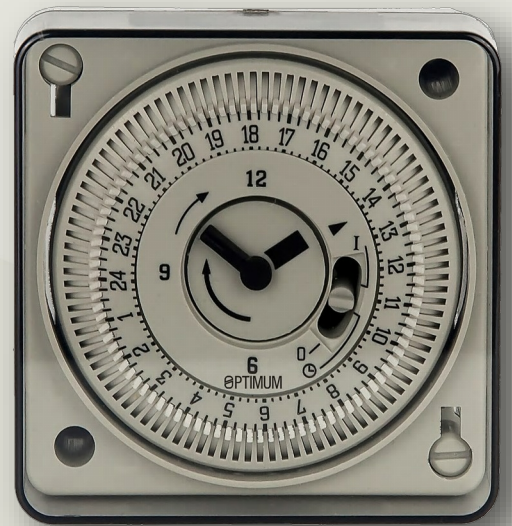
## PRODUCT DATA SHEET

### OP-TS111.2

24 HOUR SYNCHRONOUS  
TIME SWITCH

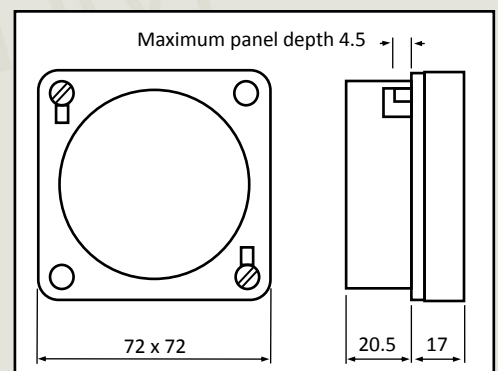
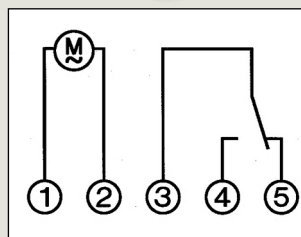
SURFACE, PANEL, DIN-RAIL  
MOUNTING

VOLT-FREE CHANGEOVER  
SWITCHING



OP-TS111.2 IS A CAPTIVE-TAPPET 24 HOUR TIME SWITCH. EACH TAPPET OPERATES FOR 15 MINUTES. THE TIMER IS SUITABLE FOR PANEL MOUNTING. PANEL CLIPS ARE INTEGRATED INTO THE HOUSING. THE 24 HOUR DIAL CONTROLS A VOLT-FREE CHANGEOVER SWITCH, WITH A RESISTIVE RATING OF 16 AMPERES.

DIMENSIONS	72 x 72 x 37.5 (see drawing below)
PANEL CUT-OUT	68 X 68mm
CONNECTIONS	5 X DIN 6.0 mm TAB TERMINALS
WEIGHT	155g
AMBIENT TEMPERATURE	-20 <sup>0</sup> C to +55 <sup>0</sup> C
POWER CONSUMPTION	1vA @ 230V 50Hz
RESISTIVE LOAD	16 AMPERES
INDUCTIVE LOAD	8 AMPERES (cos Ø 0.6)
MINIMUM LOAD	100mA @ 20v AC/DC
TEMPERATURE RATING	-20T55
ACCURACY	MAIN SYNCHRONISED (typically +/- 2.5 sec / day)
MINIMUM SWITCHING	15 MINUTES
MANUAL OVERRIDE	FIX ON / TIMED / FIX OFF



OPTIMUM



Cert No: RS 30178  
QR057

TFC GROUP LLP, TOWER HOUSE, VALE RISE, TONBRIDGE, KENT TN9 1TB

Tel: 01732 351680 [www.tfc-group.co.uk](http://www.tfc-group.co.uk)

Prepared for TFC Group LLP By: M. Edmonston

Issue 1: Sept 2018

Page 1 of 1